

# III FWOM 2015-04-18 Ryś MU11J-26,0

Competitors: 8

## Competitors A

#	Name	Grade	Club	1	2	3	4	Wins	Pts	Pos
1	Marcel DERKACZ	?	Ryś Warszawa				10	1	10	2
2	Amir ULUGBEKOV	?	Ulisses Team	10				1	10	4
3	Nikodem GAJCY	?	UKJ Meiyo	10	10		10	3	30	1
4	Ignacy CZECHOWSKI	?	UKS PCSW		10			1	10	3

## Matches A

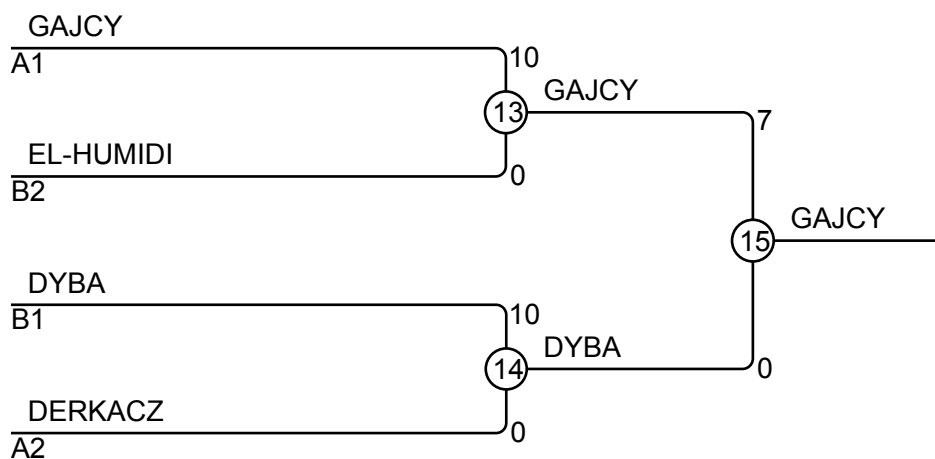
Match	White	White Grade	White Pos	Blue	Blue Grade	Blue Pos	Result	Time
1	Marcel DERKACZ	1	2	Amir ULUGBEKOV			0 - 10	1:58
3	Nikodem GAJCY	3	4	Ignacy CZECHOWSKI			10 - 0	1:51
5	Marcel DERKACZ	1	3	Nikodem GAJCY			0 - 10	2:00
7	Amir ULUGBEKOV	2	4	Ignacy CZECHOWSKI			0 - 10	1:36
9	Marcel DERKACZ	1	4	Ignacy CZECHOWSKI			10 - 0	1:17
11	Amir ULUGBEKOV	2	3	Nikodem GAJCY			0 - 10	0:19

## Competitors B

#	Name	Grade	Club	5	6	7	8	Wins	Pts	Pos
5	Damian EL-HUMIDI	?	UKS Judo Fight Club			10	10	2	20	2
6	Krzysztof DYBA	?	AZS UW	5		10	10	3	25	1
7	Maciej BIELECKI	?	UKJ 225				10	1	10	3
8	Piotrek STARNAWSKI	?	Okami K.S.					0	0	4

## Matches B

Match	White	White Grade	White Pos	Blue	Blue Grade	Blue Pos	Result	Time
2	Damian EL-HUMIDI	5	6	Krzysztof DYBA			0 - 5	1:55
4	Maciej BIELECKI	7	8	Piotrek STARNAWSKI			10 - 0	0:03
6	Damian EL-HUMIDI	5	7	Maciej BIELECKI			10 - 0	0:35
8	Krzysztof DYBA	6	8	Piotrek STARNAWSKI			10 - 0	0:18
10	Damian EL-HUMIDI	5	8	Piotrek STARNAWSKI			10 - 0	1:52
12	Krzysztof DYBA	6	7	Maciej BIELECKI			10 - 0	1:30



## Results

Pos	Name
1	Nikodem GAJCY, UKJ Meiyo
2	Krzysztof DYBA, AZS UW
3	Damian EL-HUMIDI, UKS Judo Fight Club
3	Marcel DERKACZ, Ryś Warszawa